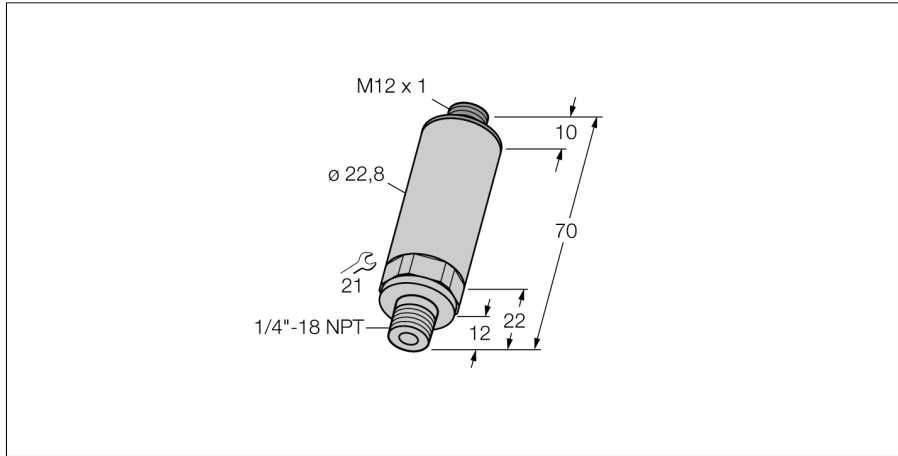
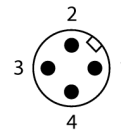
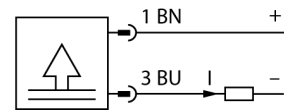


**Pressure Transmitter  
with current output (2-wire)  
PT-30HG-13-LI3-H1131/S1800**



- Compact and robust design
- Pressure connection with integrated peak pressure aperture
- Accuracy hardly affected by temperature within entire range -40...+125°C
- Excellent EMC properties
- Pressure range 0...-30 in HG rel.

**Wiring Diagram**



**Functional principle**

The pressure transmitters of the PT...-1 series operate with piezo-resistive ceramic measuring cells. The ceramic diaphragm is unbalanced in proportion to the pressure applied. Depending on the sensor type used, the processed signal is provided as an analog output signal 4...20mA (2-wire) or 0...10V (3-wire).

<b>Type designation</b>	PT-30HG-13-LI3-H1131/S1800
Ident-No.	6833595
<b>Pressure range</b>	
Relative pressure	0...1.016 bar rel. 0...-14.74 psi 0...-0.1 MPa
Admissible overpressure	≤ 3 bar
Burst pressure	≥ 3 bar
Response time	< 2 ms, typ. 1 ms
<b>Power supply</b>	
Operating voltage	8...33 VDC
Current consumption	≤ 20 mA
Protective measure	SELV according to EN 50178
Short-circuit/reverse polarity protection	yes / yes
Protection type and class	IP67 / III
<b>Outputs</b>	
Output 1	Analog output
<b>Analog output</b>	
Current output	4...20 mA
Operating range	4...20 mA (2-wire)
Load	≤ 1 kΩ
Accuracy LHR analog output	± 0.3 % FS BSL
Calibration accuracy 0-point	0.3 % FS
Calibration accuracy full scale	0.3 % FS
<b>Temperature behaviour</b>	
Medium temperature	-40...+125 °C
<b>Ambient conditions</b>	
Ambient temperature	-40...+85 °C
Storage temperature	-40...+85 °C
Vibration resistance	20 x g (9...2000 Hz, 2...9 Hz with an amplitude +/-15 mm), acc. to IEC 68-2-6
Shock resistance	100 g (11 ms) , acc. to IEC 68-2-27
<b>Housing</b>	
Housing material	Stainless-steel/Plastic, V2A (1.4305)
Pressure connection material	Stainless steel A2 1.4305 (AISI 303)
Pressure transducer material	Ceramics Al <sub>2</sub> O <sub>3</sub>
Sealing material	FPM
Process connection	NPT 1/4"-18 male thread
Wrench size pressure connection / coupling nut	SW 21
Electrical connection	Connector, M12 x 1
Max. tightening torque housing nut	20 Nm

**Pressure Transmitter  
with current output (2-wire)  
PT-30HG-13-LI3-H1131/S1800**

---

**Reference conditions acc. to IEC 61298-1**

Temperature	15...+25 °C
Atmospheric pressure	860...1060 hPa abs.
Humidity	45...75 % rel.
Auxiliary power	24 VDC

---

<b>MTTF</b>	114 years acc. to SN 29500 (Ed. 99) 20 °C
-------------	---